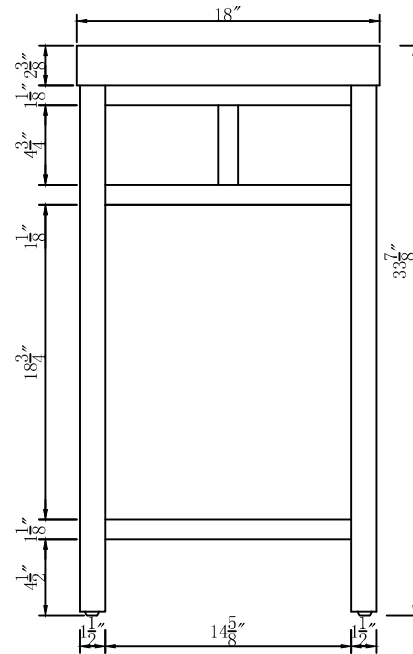
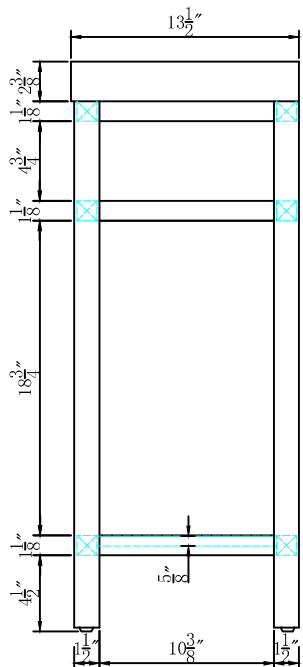


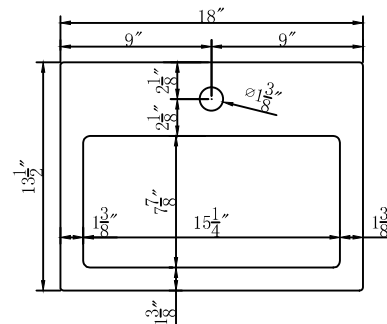
Front view



Back view



Side view



Top view

DWG. NO.:

MODEL NO.:

VF14018BK

ALTERATIONS

①

②

③

④

FOR PROPOSAL ONLY ALL DIMENSIONS TO BE VERIFIED

SCALE:

DWG. BY:

CHECKED BY:

DATE:

PROJECT:

Qty:

Color:

DRAWING TITLE:

FINISH:

Elegant



Decor

ELEGANT LIGHTING

Model #	VF14018BK	Finish	Black	Mirror type	N/A	Beveled glass	N/A	Frame material	Metal
Solid wood construction	N/A	Drawers Included	NO	Number of Drawers	0	Joinery Type	N/A	Drawer railing	N/A
Drawer Width (in)	NO	Drawer Depth (in)	NO	Drawer Height (in)	NO	Shelves	NO	Number of Shelves	0
Doors included	NO	Number of Doors	0	Finished Back	NO	Hardware finish	N/A	Assembly	NO
Countertop included	Yes	Countertop material	Resin	Number of Sinks accommodated	1	Sink material	Resin	Sink Width	15.25"
Sink Depth	7.87"	Sink height	8-1/4"	Sink hole size	1-3/4"	Mounting type	Free Standing	Backsplash	No
Backsplash Width	N/A	Backsplash Depth	N/A	Backsplash Height	N/A	Drain assembly included	NO	Faucet included	NO
Faucet type	NO	Faucet hole size	1.38	Faucet hole spacing	1Hole	Product Width	18	Product Depth	13-1/2"
Product Height	34	Package LENGTH (inches)	23.4	Package WIDTH (inches)	18.1"	Package Height (inches)	39.2"	Package Weight (lbs)	41.4
Product Weight	32.45	Shipment Type	small parcel	Table/Desk: top width	13-1/2"	Table/Desk top finish	Resin	glass top tempered	N/A
table top maximum weight	50 lbs	Table: seating capacity	1	upholstery color	N/A	upholstery pattern	N/A	cushion material	N/A
base finish	Black	powder coated finish	NO	base material	Metal	top material	Resin basin	wood species	N/A
tip over restraint strap	NO	shape of top	Rectangle	lift top	NO	shelf material	N/A	adjustable shelves	NO
Handle designs	N/A	safety stop	NO	felt lined drawers	NO	drawer glide extension	N/A	drawer glide material	N/A
drawer dividers	N/A	Drawer Interior finish	N/A	Ball Bearing Glides	N/A	soft close drawer glides	N/A	Number of cabinets	1
shelf width (in)	N/A	shelf depth (in)	N/A	shelf height (in)	N/A	Shelf thickness	N/A	Any certification? (CARB/TSCA VI)	NO
California Proposition 65 warning required	NO	Drawer Interior Width (in)	N/A	Drawer Interior Depth (in)	N/A	Drawers Interior Height (in)	N/A	cabinet interior width	N/A
cabinet interior depth	N/A	cabinet interior height	N/A	leg width	1-1/2"	leg depth	1-1/2"	leg height	31-1/2"
gloss finish	NO	stackable	NO	leg desig	Straight legs	Armoires: ring slots	NO	Armoires: hooks	NO
armoires: mirror dimensions	NO	door thickness	N/A	false drawers?	NO	Vanity countertop edge style	FLAT	# of faucet holes	1

**DWG. NO.**

**MODEL NO:**  
VF14018BK

**SPEC NO:**

**QUANTITY:**

**DATE:**

**CHECKED BY:**

**FOR PROPOSAL ONLY ALL DIMENSIONS TO BE VERIFIED**

**PROJECT:**

**COLOR:**

**FINISH:**

**REVISIONS**

①

②

③

④

⑤

⑥

 **ELEGANT**  
FURNITURE & LIGHTING™

**500-550 E. Erie Avenue**  
**Philadelphia PA 19134**  
**1-888-388-3390**